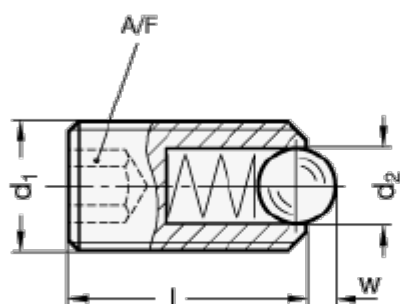


Article number: 206153M16KSN

Description: E+G stainless steel spring plungers 615.3-M16-KSN

## Measures



Thread locking **PFB**  
Polyamide patch  
for type **KN**



Thread locking **PFB**  
Polyamide patch  
for type **KSN**



Thread locking **MVK**  
Micro encapsulation precote  
(for all types)

A/F	= 8
d1	= M16
d2	= 10
l	= 33
Max. spring load in N	= 142
Preload spring pressure in N	= 68
w	= 3.5